

## NELSON STUD WELDING

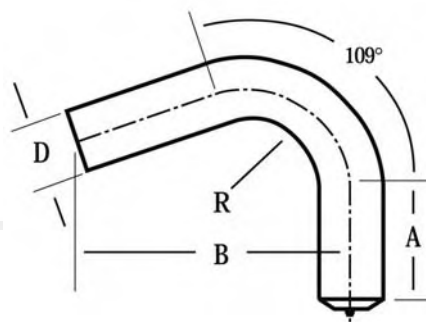
### SPECIFICATION: R9L Rope Hook Studs

Nelson R9L rope hook studs are welded to trucks, trailers, and other vehicles to provide a means of securing tarpaulins with ropes. Because the studs can be rapidly applied, compared to manual welding of J-bent rods, the R9L studs are ideal in situations where large quantities of studs must be applied.

Additionally, Nelson R9L studs can be welded to the perimeter of multistory buildings to facilitate the securing of ropes during building construction. R9L studs meet OSHA regulations for such applications.

Stud types that may perform a similar function to the Nelson R9L studs are Nelson **B4L Reinforcing Standoff Support studs**, **E2L “Eyebolt” studs**, **J2L “J” Bolt studs**, and **R7P Rectangular Stud with Hole**.

## R9L



**When ordering, specify Type, Description, Material, Quantity, and Part Number**

*Example: R9L 7/16 x 3”; Mild Steel; 10,000 pieces; # 101092002*

Stud Description	A	B	C	Stud Diameter D	R	Required Standard Accessories		
						Ferrule	Chuck Assembly	Foot Plate
7/16 x 3	0.687	1.875	45° x 0.031	0.437	0.500	100101009	500015111	501006004

**MATERIALS:** Studs are available in Low Carbon Mild Steel and 18-8 Stainless Steel. For specific grade information and physical and chemical properties, conforming standards, and information on stud plating and heat treating, please see [General Material Specifications](#).

**FLUX:** All Nelson R9L studs have a solid flux load.

Visit our website [www.NelsonStudWelding.com](http://www.NelsonStudWelding.com) for a list of our standard stock products.